

MAJESTIC

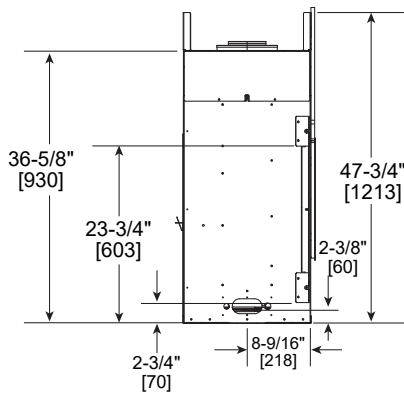
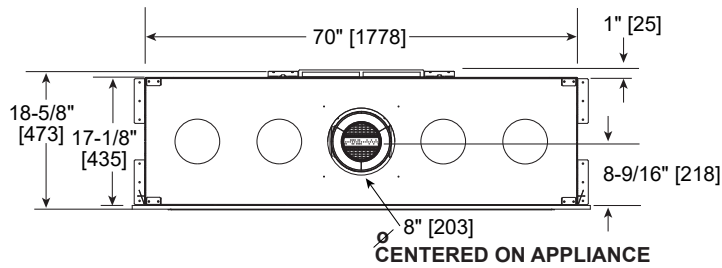
Please consult the manufacturer's installation manual for all details and requirements before making a final design layout decision.

ECHELON II 60

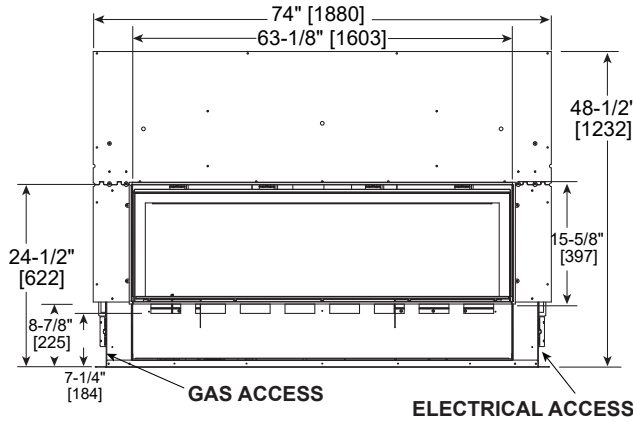
Direct Vent Gas Fireplace

MODEL	FRONT WIDTH		BACK WIDTH		HEIGHT		DEPTH		GLASS SIZE
	ACTUAL	FRAMING	ACTUAL	FRAMING	ACTUAL	FRAMING	ACTUAL	FRAMING	
ECHEL60 50,000 BTU (NG) 37,500 BTU (LP)	70"	72-1/4"	70"	72-1/4"	47-3/4"	48"	17-1/8"	18-1/4"	59-1/2" x 12-1/2"

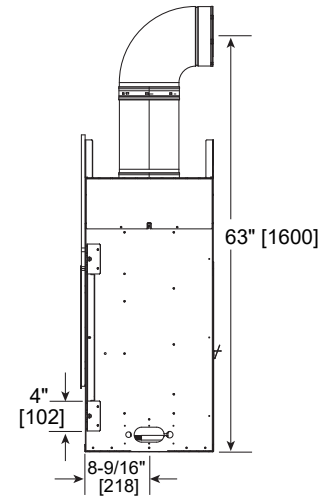
TOP



LEFT



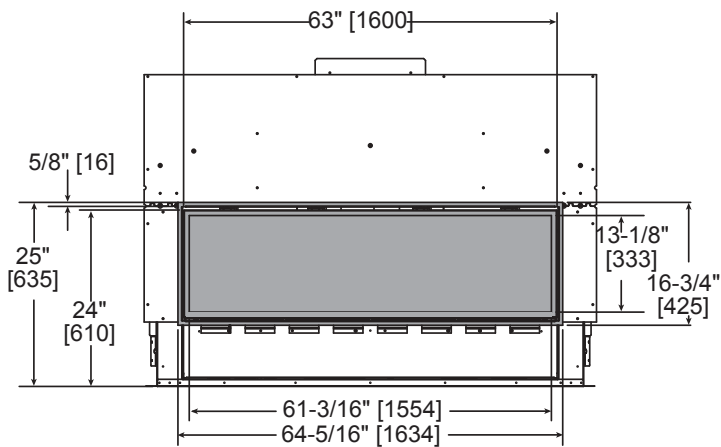
FRONT



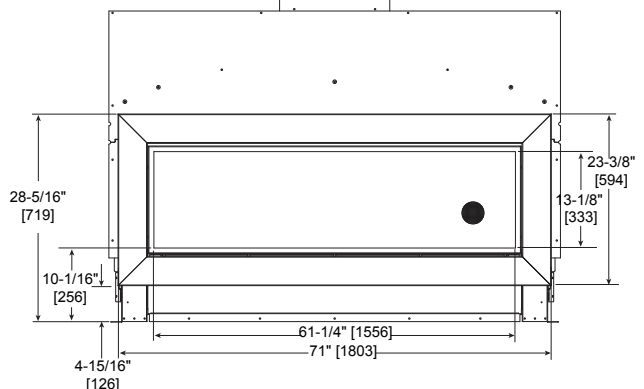
RIGHT

BEFORE FRAMING, PLEASE NOTE:

A minimum of 18" of vertical venting is required before attaching any elbow to the appliance.



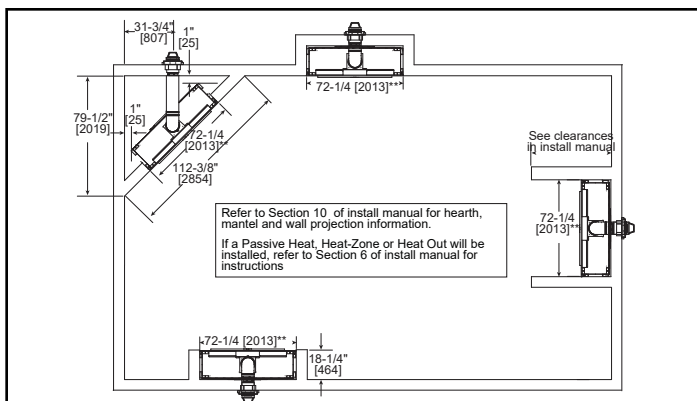
CFT FRONT



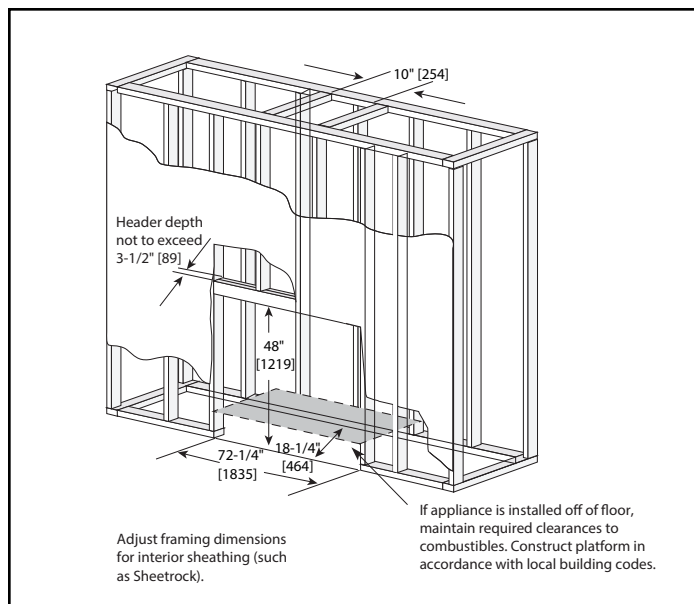
PFF FRONT

The PFF decorative front has an installed depth of 3/4" [19mm], measured from the front of the non-combustible finishing material to the front of the decorative front.

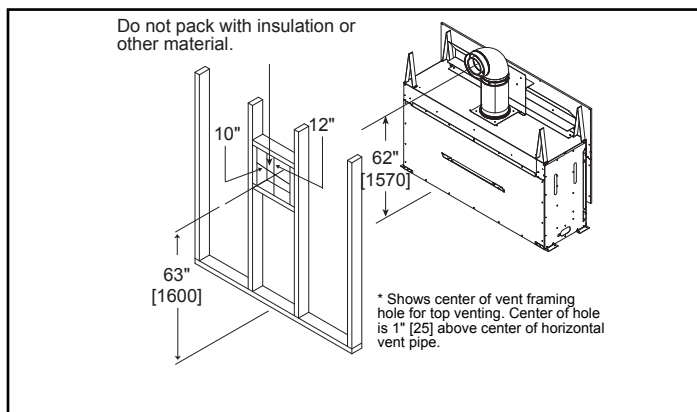
APPLIANCE LOCATION



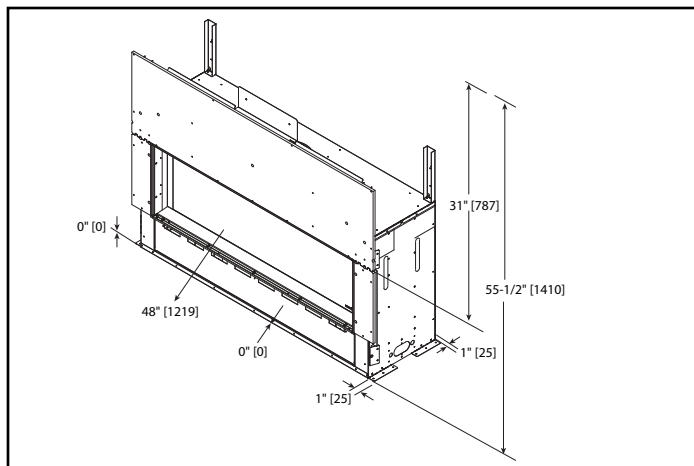
FRAMING DIMENSION



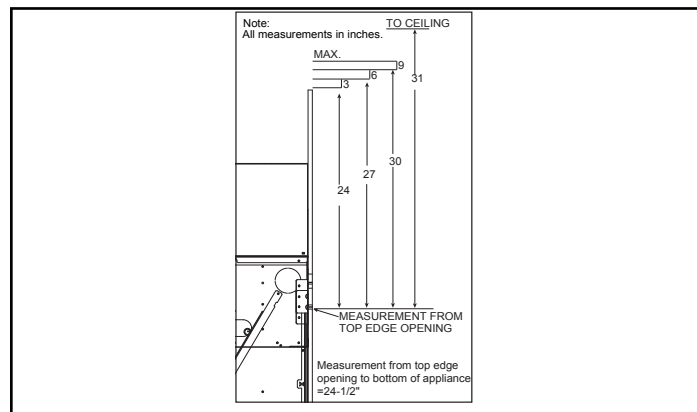
WALL PENETRATION



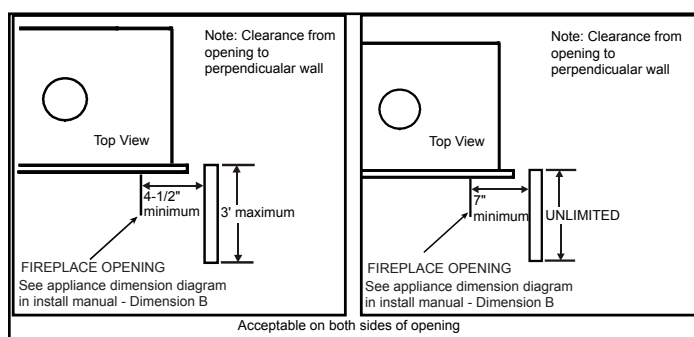
CLEARANCES TO COMBUSTIBLES



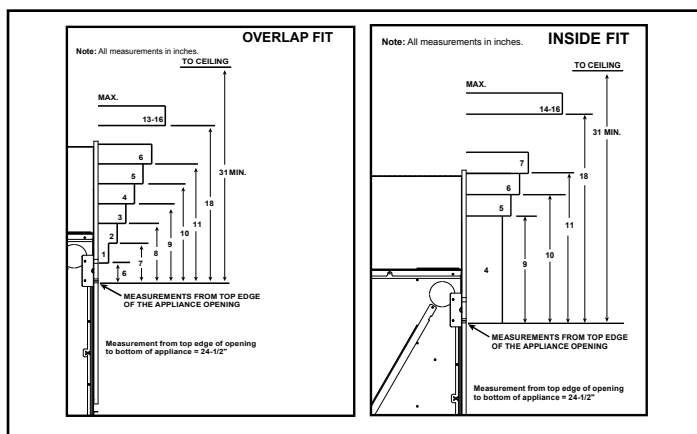
MANTEL PROJECTIONS - COMBUSTIBLE



MANTEL LEG/WALL PROJECTIONS COMBUSTIBLE OR NON-COMBUSTIBLE



MANTEL PROJECTIONS - NON-COMBUSTIBLE



PRODUCT LISTING CODES	
US	ANSI Z21.88-2017
CAN	CSA 2.33-2017
US LISTED	UL307B

Product information provided is not complete and is subject to change without notice. Product installation must adhere strictly to instructions accompanying product to avoid risk of fire and potential injury.